

# VALVE ACCESSORIES

## Spring Return Handle (SRH)

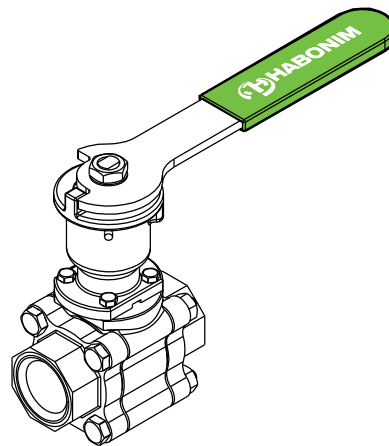
A spring-loaded device that force the valve into close or open base position, by manually forcing the vale handle it can be temporary turned into the opposite position (close or open respectively). Once handle is released the device will automatic force the valve into its base position.

### Features

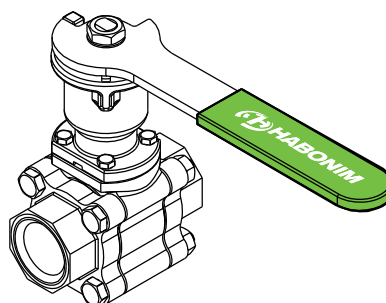
- compact size, rugged construction, device internals are open to atmosphere (no pressure is build inside)
- In-Line Assembly: The SRH can be fitted on valves in line without shutting down the system or removing the valve from the line
- Fail to close, fail to open options
- Size range:
  - Standard port: ½" - 1¼" (DN15 - DN32)
  - Full port: ½" - 1" (DN15 - DN25)
- Stroke End Output Torque: 11 Nm (97 in-lb)
- Construction materials: Stainless Steel
- Direct mount on top of Habonim valve ISO 5211 pad
- Optional locking device

**CAUTION!** While operating the spring-loaded device, hold lever firmly and release gently. Slamming the unit might cause human injuries or handle deformation.

### Fail Open Assembly



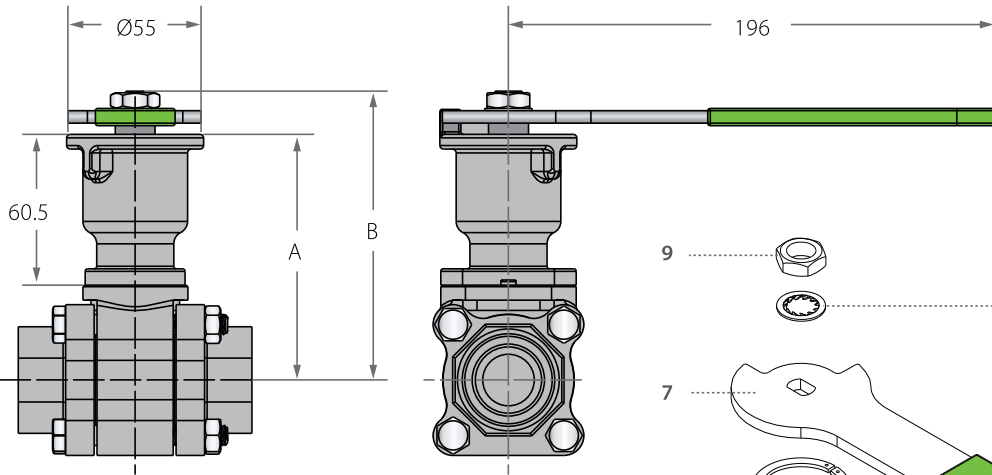
### Fail Close Assembly





# Spring Return Handle (SRH)

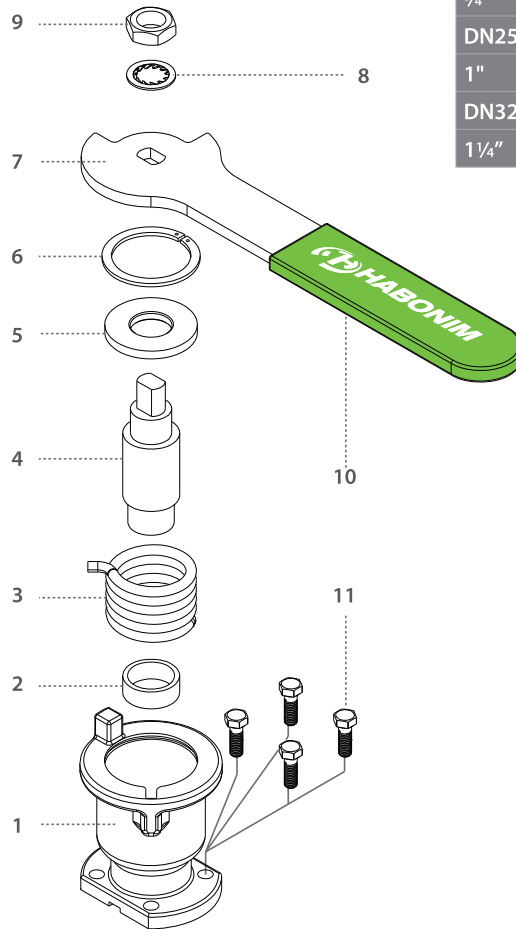
## Device dimensions



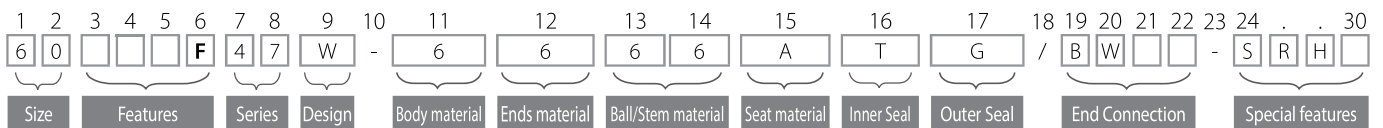
Valve size		A	B
DN15	mm	89.50	106.80
1/2"	inch	3.52	4.20
DN20	mm	91.90	109.20
3/4"	inch	3.62	4.30
DN25	mm	98.70	116.00
1"	inch	3.89	4.57
DN32	mm	103.20	120.50
1 1/4"	inch	4.06	4.74

## Components & materials

Item	Description	Material specification	Qty.
1	Body housing	Stainless St. ASTM A351 CF8M	1
2	Bottom bearing	PTFE	1
3	Spring	Spring Steel ASTM A401	1
4	Stem	Stainless Steel 17-4 PH	1
5	Top bearing	BRASS ASTM B121	1
6	Locking clip	A167 304	1
7	Handle	Stainless Steel AISI 430	1
8	Serrated washer	A240 410	1
9	Handle nut	Stainless Steel 316 ASTM A194	1
10	Handle sleeve	PVC	1
11	Housing screws	Stainless Steel A2-70 ISO 4014	4



## Ordering Code System



Special Features (24-30)	
SRH	Spring Return Handle